

POLYNETTE II

Manually operated heat sealer

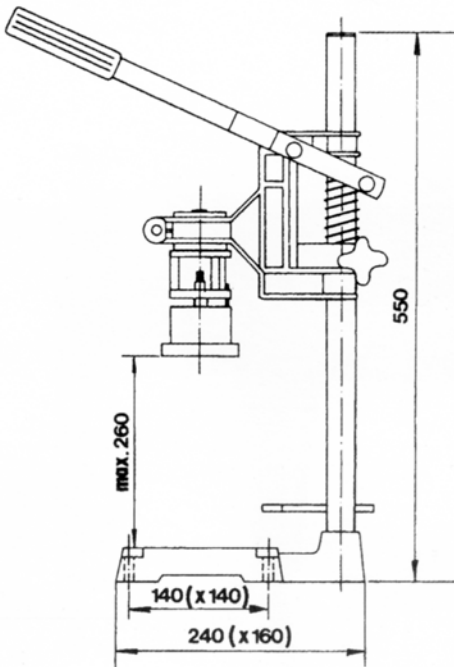
This easy-to-work-with sealer is ideal for labs, new products test marketing and small production runs.

Basic equipment

- pendulum sealing head in stainless steel with heating ring
- electronic control
- compact design
- effective power transmission
- container centering device
- heat shield
- variable height adjustment
- easy to operate

Technical Data

Power Supply	220 V, 300 W, 50/60 Hz
Sealing temperature range	100–300° C
Max. container height	265 mm



Sealing die	Ø 80 or 100 mm
Performance	7–10 pcs/min
Weight	about 9 kg